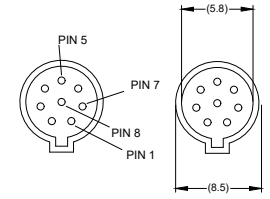
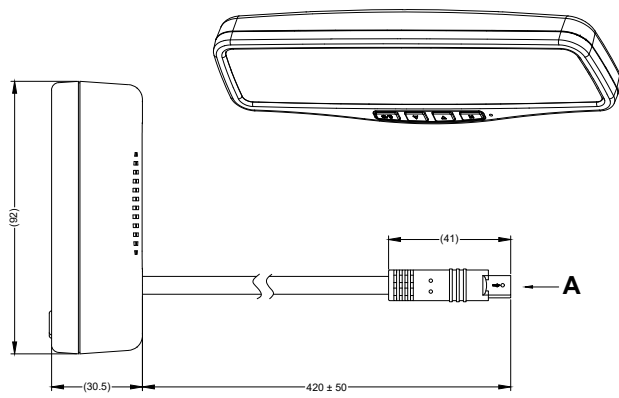
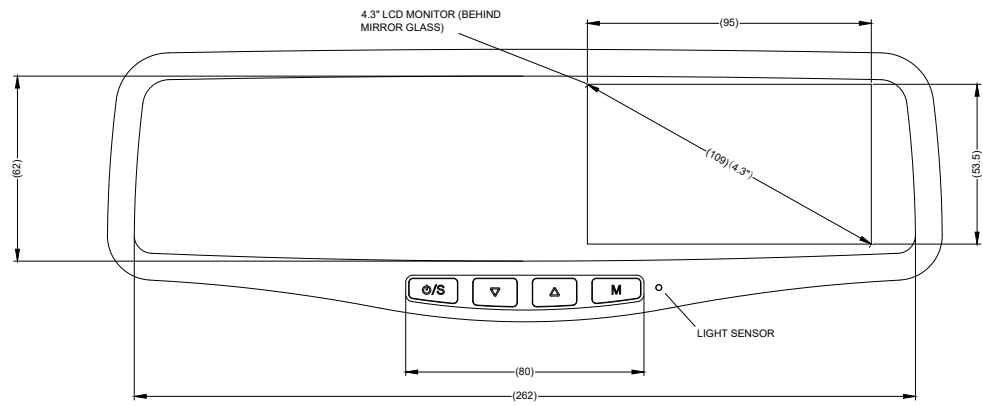


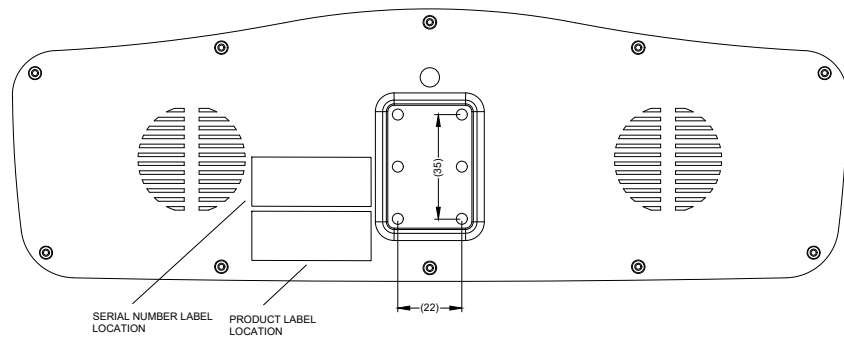
Revision Notes			
R1 - UPDATED SERIAL NUMBER LABEL POSITION (AS PER ECR CR-A572).			
APA: Y.ZHANG	Drawn:S.LAVER	Checked:D.RICHARDSON	Approved:R.PENTLEY Date: 21/11/2017
R2 - FIRMWARE VERSION UPDATED TO V1.3 (AS PER P1509).			
APA: w.WU (04/11/2021)	Drawn:J.STEWART	Checked:S.GOVENDER	Approved:S.LAVER Date: 09/11/2021



**VIEW A**

**8 PIN MALE MATING FACE**

PIN	WIRE COLOUR	DESCRIPTION
1	BLACK	GND
2	RED	POWER
3	BROWN	TRIGGER 2
4	WHITE	CA2 POWER
5	YELLOW	CA2 VIDEO
6	GREEN	CA1 POWER
7	BLUE	TRIGGER 1
8	GREY	CA1 VIDEO



- NOTES:**
1. MATERIAL: ABS PLASTIC.
  2. FINISH: MATTE BLACK.
  3. FOR PRODUCT LABEL AND SERIAL NUMBER LABEL REFER TO MASTER BOM.
  4. FIRMWARE VERSION SV-MO144-703-00-V1.3 TO BE LOADED TO THE MONITOR DURING MANUFACTURE.
  5. KEYPAD BUTTONS TO BE WHITE.
  6. CONNECTOR A COLOUR IS BLACK.

**PROPRIETARY NOTICE**  
 THIS DESIGN AND TECHNICAL INFORMATION APPEARING ON THIS DRAWING IS THE PROPERTY OF BRIGADE ELECTRONICS, AND IS DISCLOSED IN CONFIDENCE. IT IS NOT TO BE COPIED, REPRODUCED, REVEALED TO OR EXPROPRIATED BY OTHERS, EITHER IN WHOLE OR IN PART WITHOUT THE EXPRESS WRITTEN CONSENT OF BRIGADE ELECTRONICS.



Assembly Pl Approval Y.ZHANG (15/06/17)		Approved by B.JOHN		Checked by R.BATES		Drawn by S.LAVER	
Angle of Projection		Units mm	Scale N/A	Released 22/06/17	Assembly Ref -		
Third Angle		Status RELEASED		VBV-243M-M			
		Part No 5324		BE-003703-02-17			